



T5 LED Fitting

LFC2 series

The LFC2 series is compact low profile T5 LED fitting which saves up to 60% energy compared to a standard T5 fluorescent luminaire. Available in 1, 2 and 4 feet, the LFC2 is ideal for cove lighting, cabinet lighting and other interior decoration applications.

Cascadable

- Able to join multiple lighting fixtures without additional wiring

Super Performance

- Seamless light - no dark spot when joining multiple lighting fixtures
- High performance frosted diffuser ensures minimum light loss and even light distribution
- High CRI with good colour reproduction
- Long lifespan of 35,000 hours



Compact Casing

- Light weight and ultra slim
- Easy to install and fix well into tight spaces

Applications

- Residential lighting - general ambient, furniture, under-cabinet, mirror-side, corridor lighting
- Commercial and retail lighting - display racks, suspended, cove, shop windows, light lines, partition light for offices, shops, hotels and restaurants

Model No.	LFC2-104	LFC2-208	LFC2-416
-----------	----------	----------	----------

Electrical Data

Wattage	4W	8W	16W
Voltage	100-240V~, 50/60Hz		
Power Factor	0.9		

Photometric Data

Luminous Flux	350lm	700lm	1400lm
Light Colour	Cool white / Daylight		
Colour Temperature	4000K / 6500K		
CRI	80		

Housing

Casing	PC
Base	PC
Diffuser	PC
Cap Base	C7 / C8
IP Rating	IP20

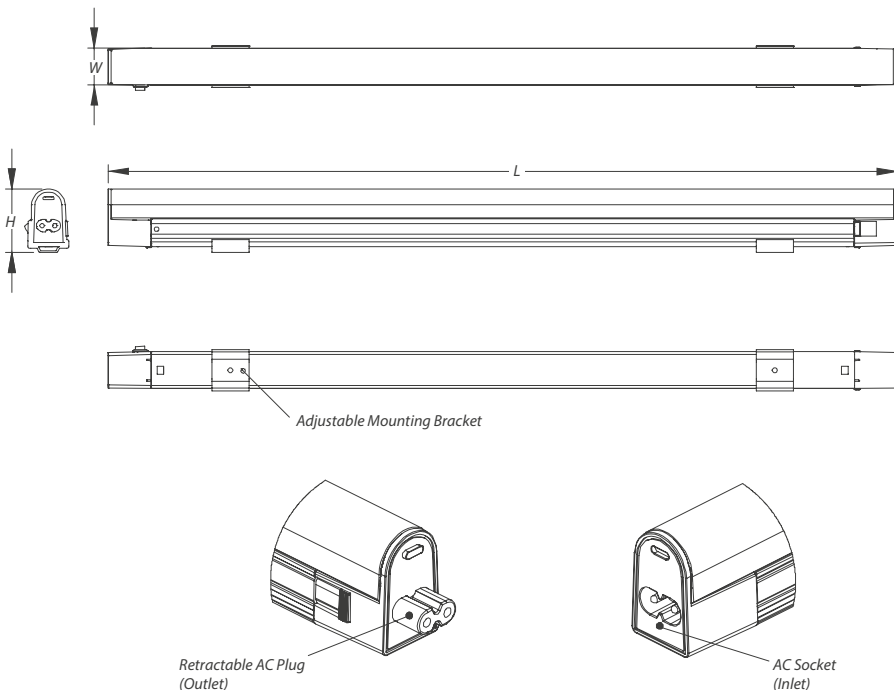
Performance

Lifspan	35,000 hours		
Alternative for	8W T5 Fluorescent Light	14W T5 Fluorescent Light	28W T5 Fluorescent Light
Certified			

Dimensions

Weight	120g	200g	342g
Size	1-foot 300(L) x 25(W) x 43(H) mm	2-foot 600(L) x 25(W) x 43(H) mm	4-foot 1200(L) x 25(W) x 43(H) mm

Line Drawing



Note: All specifications subject to change without prior notice.

For product enquiries and further information, please contact our sales teams at sales@azelite.com