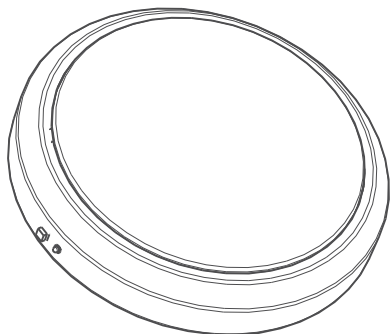
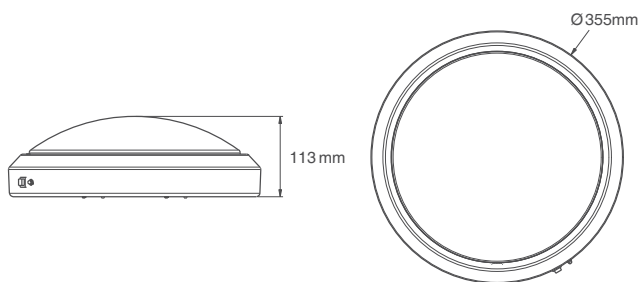


AZPLORE LED Bulk Head Light

LBHR / LBHR-B / LBHR-S / LBHR-BS Installation Guide



Outline Drawing



General Specifications (Lighting Fixture & LED Module)

Model No.	LBHR1424* / LBHR1424B / LBHR1424S / LBHR1424BS
Operating Input Voltage	AC 100-240V, 50/60Hz
Power Consumption	24W
Lumen	1350lm~1650lm
Power Factor	0.8
Operating / Storage Temp.	-20°C~40°C / -40°C~80°C
Colour Temperature	warm white / cool white / daylight
CRI	80
IP Rating	IP44
Dimension	14-inch, 113(H) x ø355mm

*For model LBHR1424 only

Microwave Sensor (for LBHR1424S and LBHR1424BS models)

Detection Zone	Max. 5m
Detection Angle	150°
HOLD-Time	5s / 30s / 3mins / 5mins / 15mins / 25mins

Battery System (for LBHR1424B and LBHR1424BS models)

Type of Battery	High Temperature Ni-HM Rechargeable Battery
Battery Capacity	4.8V / 2200mAh
Protection System	Low Voltage Cut-off, Constant Batteries Status Monitoring
Maintained Backup Time	3 hours (Luminaire brightness reduced to 30%)
Charge Time	<12 hours

Note : All specifications subject to change without prior notice.

Operation:

- The rated voltage is AC 100-240V.
- Do not use in supply voltage exceeding 240V, and promptly switch off in such circumstances.
- In order to prevent dislodging, electrical shock and blazing, exercise caution when installing.
- In case of operation failure, please switch off the power and contact your nearest AZ e-lite dealer.
- To check the battery system, press down and hold the Test Button. The red indicator LED should be off while the Bulk Head Light keeps lighting.
- The battery needs to be replaced when the maintained backup time is less than 3 hours.
- The LED module is non-replaceable.

Control Setting

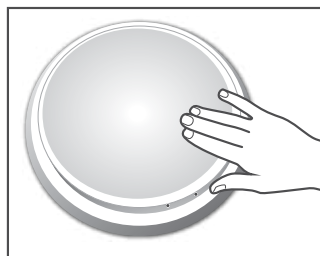
		0%	20%	40%	60%
Dim0	<input type="radio"/>	<input checked="" type="radio"/>	<input checked="" type="radio"/>	<input checked="" type="radio"/>	<input type="radio"/>
Dim1	<input type="radio"/>	<input type="radio"/>	<input checked="" type="radio"/>	<input checked="" type="radio"/>	<input type="radio"/>

		5m	4m	3m	2m	1m
Btn1	<input type="radio"/>	<input checked="" type="radio"/>	<input checked="" type="radio"/>	<input checked="" type="radio"/>	<input type="radio"/>	<input checked="" type="radio"/>
Btn2	<input type="radio"/>	<input checked="" type="radio"/>	<input type="radio"/>	<input checked="" type="radio"/>	<input checked="" type="radio"/>	<input checked="" type="radio"/>
Btn3	<input type="radio"/>	<input type="radio"/>	<input checked="" type="radio"/>	<input checked="" type="radio"/>	<input checked="" type="radio"/>	<input checked="" type="radio"/>

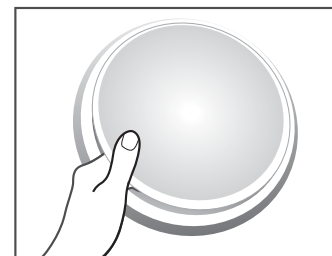
		5sec	30sec	3min	5min	15min	25min
Btn1	<input checked="" type="radio"/>	<input type="radio"/>	<input checked="" type="radio"/>	<input checked="" type="radio"/>	<input type="radio"/>	<input type="radio"/>	<input type="radio"/>
Btn2	<input checked="" type="radio"/>	<input checked="" type="radio"/>	<input type="radio"/>	<input type="radio"/>	<input checked="" type="radio"/>	<input type="radio"/>	<input type="radio"/>
Btn3	<input checked="" type="radio"/>	<input checked="" type="radio"/>	<input checked="" type="radio"/>	<input type="radio"/>	<input checked="" type="radio"/>	<input type="radio"/>	<input type="radio"/>

Steps for Diffuser Replacement

- Procedure to remove the diffuser :

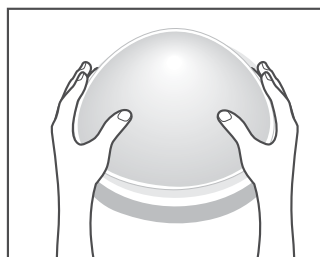


A) Press the diffuser towards the light and push it to one side until a gap is seen.

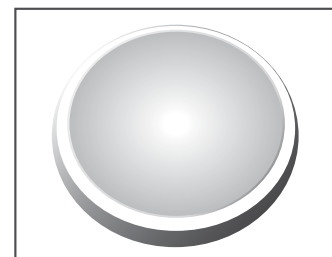


B) Grip the edge of the diffuser through the gap and pull it out.

- Procedure to install diffuser onto metal base :



A) Use both hands to compress the sides of the diffuser slightly, and then install it onto metal base.

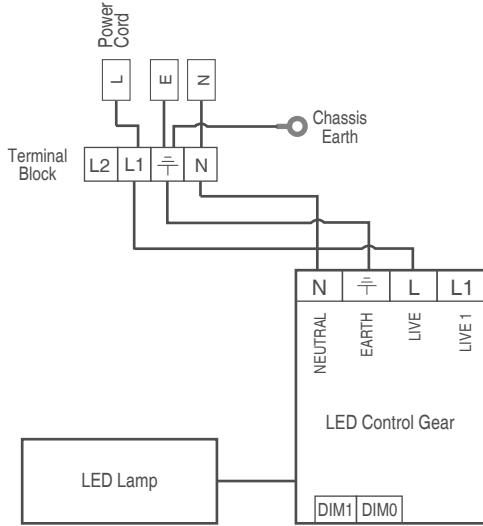


B) Centralize the diffuser.

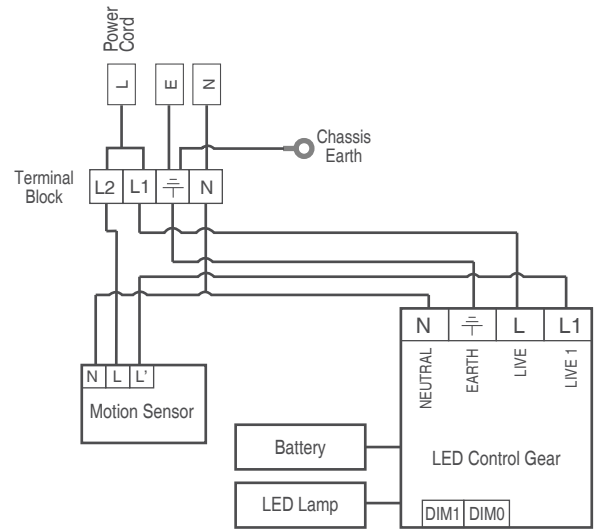
⚠ Warning:

- ALWAYS keep AC supply off during installation
- ALWAYS keep battery unplugged during installation
- All wiring MUST be done by licensed electricians

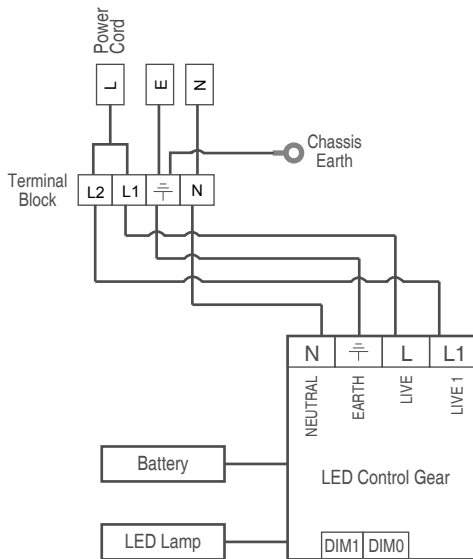
Wiring Diagram (for LBHR1424 models)



Wiring Diagram (for LBHR1424-BS models)



Wiring Diagram (for LBHR1424-B models)



Notices before installation

1. Please install the bulkhead light carefully according to the directions given.
2. The bulkhead light is to be fixed properly onto the ceiling by screws. It may get dislodged if not securely mounted.
3. Do not install near high temperature/combustive objects.
4. Do not install the product in the positions depicted in the diagrams on the right.



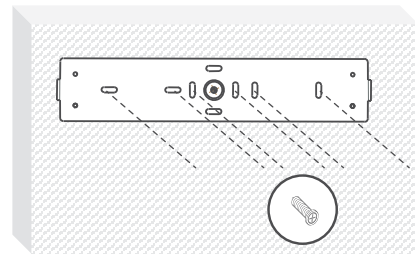
▲ Oblique Surface



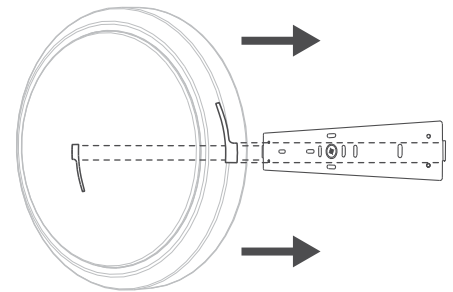
▲ Upward Surface

Installation Steps

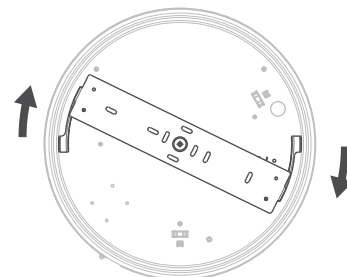
1. Mount the metal plate onto a solid surface.



2. Install the light onto the metal plate.



3. Rotate the light to fix its position.



Wiring Diagram (for LBHR1424-S models)

