

LED Floodlight AZPOSE XL



XL-25-765/830/840



XL-10-765/830/840

Installation Guide

Contents

Production Information.....	p.1
Specification	p.1
Specifications summary	p.2
Outline Drawing (XL-10).....	p.3
Outline Drawing (XL-25).....	p.4
Set Up Instructions.....	p.5
Principle.....	p.6
Safety warnings	p.6
Permanent light function.....	p.6
Accessories	p.6
Declaration of conformity.....	p.7
Functional warranty.....	p.7

Installation Guide

Product Information

The XL-10/XL-25 is a energy saving LED floodlight for various indoor/outdoor applications such as illumination of walkway, car porch, garden, signage, etc.

The XL-10/XL-25 has an ingress protection rating of IP54, which makes it suitable for both indoor and outdoor applications.

Specifications

This specifications define the characteristic of XL-10/XL-25 LED Floodlight:

1. General

Operating Input Voltage	220 – 240 Vac, 50 - 60Hz
Power Consumption	30W (XL-10-765); 65W (XL-25-765)
Power Factor	>0.8
Operating Temperature	0 to 40 °C
Storage Temperature	-40 to 80 °C
Operating Humidity	>90% (RH)
IP Rating	IP54
Weight	1.7Kg (XL-10-765/830/840) / 2.36Kg (XL-25-765/830/840)

2. LED Light Source

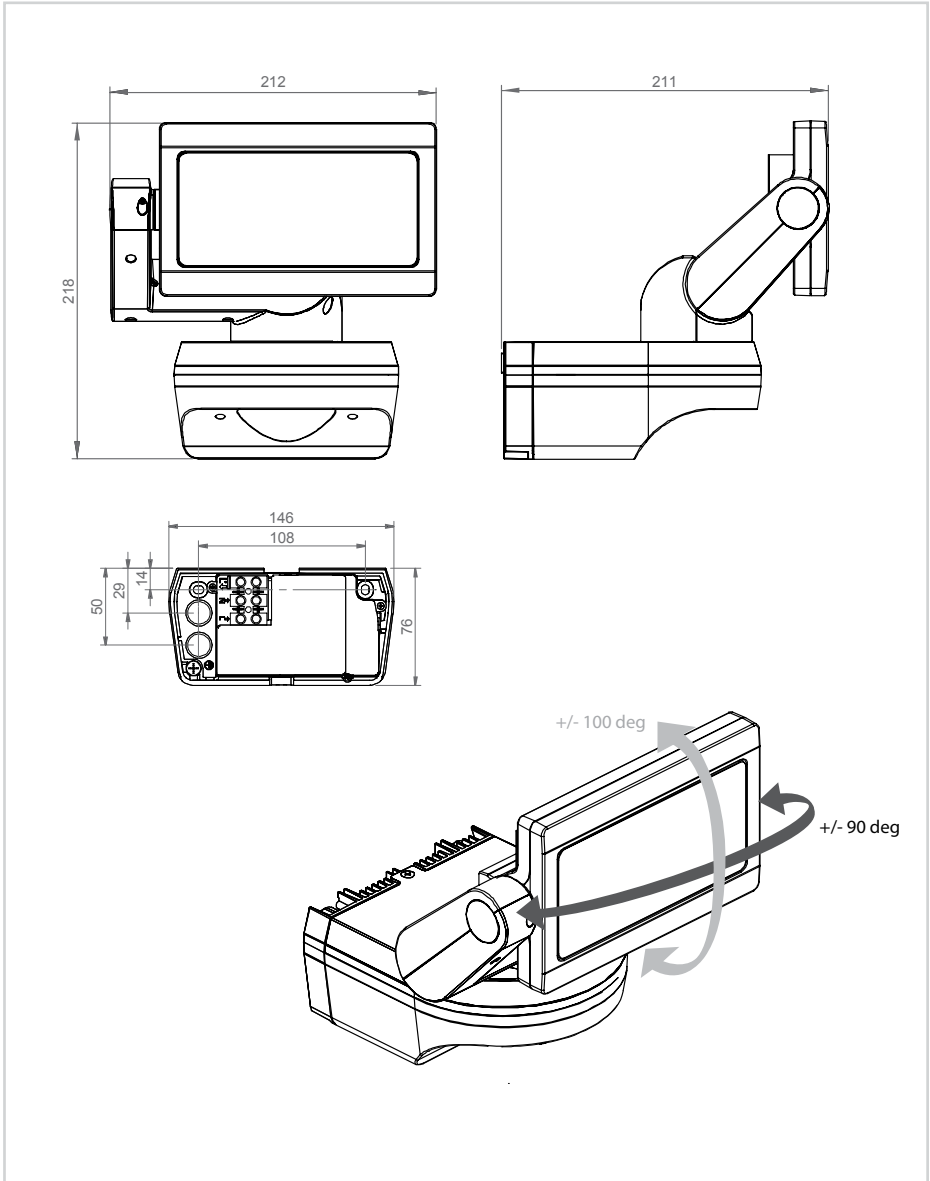
Type Of LED	OSRAM Oslon SSL LED
Nos Of LEDs	10 LEDs (XL-10-765/830/840) / 25 LEDs (XL-25-765/830/840)
Luminous Flux (Typical)	1300lm (XL-10-765/830/840) / 2800lm (XL-25-765/830/840)
Color Temperature	6500K (XL-10-765, XL-25-765) / 3000K (XL-10-830, XL-25-830) / 4000K (XL-10-840, XL-25-840)
Color Rendering Index	>70
Light Beam Angle	80 deg
Horizontal / Vertical Tilt Angle	+/-90 deg / +/-100 deg

Specifications summary

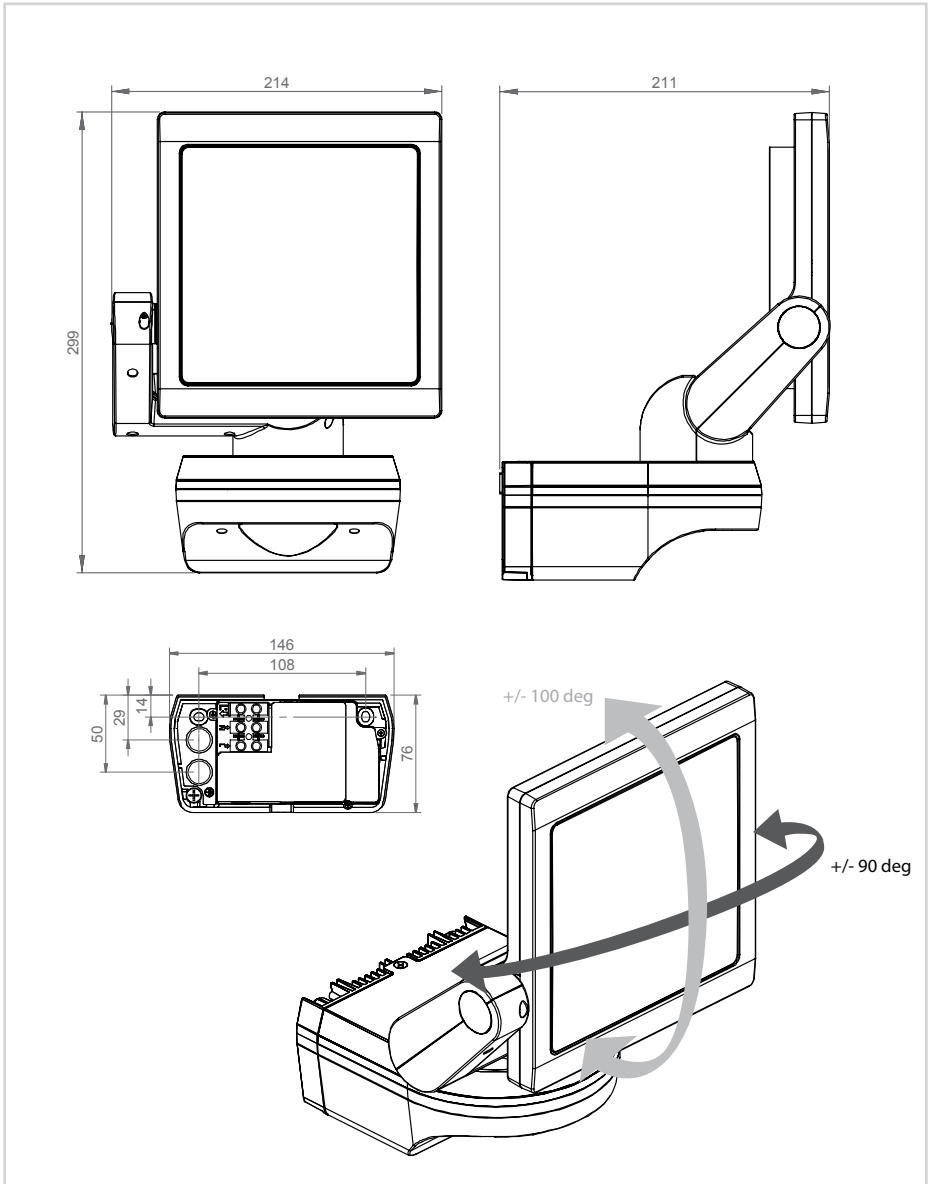
	XL-10-765/830/840	XL-25-765/830/840
Operating Input Voltage	220 – 240 Vac, 50 - 60Hz	
Lumen	1300 lm	2800 lm
Colour Temp.	daylight(765) / warm white (830) / cool white (840)	
CRI	>70	
No. of LEDs	10	25
Power Consumption	30W	65W
Dimension(mm) HxWxD	218 x 212 x 211	299 x 214 x 211
Lifespan	35,000 hours	
Enclosure IP Rating	IP 54	
Horizontal / Vertical Tilt Angle	+/-90° / +/-100°	

Notes: All specifications subject to change without prior notice

Outline Drawing (XL-10)



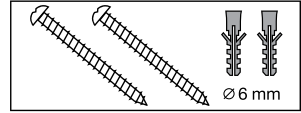
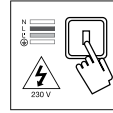
Outline Drawing (XL-25)



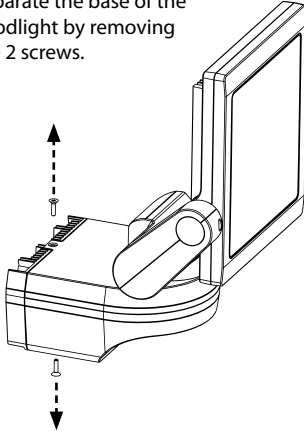
Installation Guide

Set Up Instructions

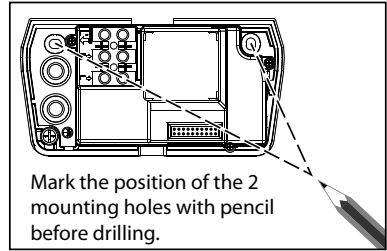
Disconnect the power supply before installing the floodlight. The unit is to be wall mounted with four screws.



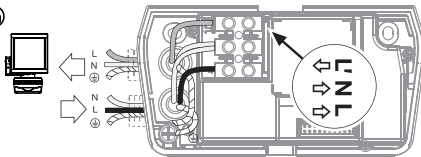
- ① Separate the base of the floodlight by removing the 2 screws.



- ②

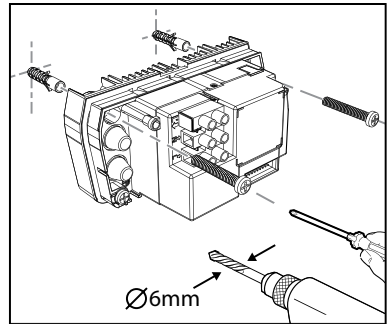


- ④a

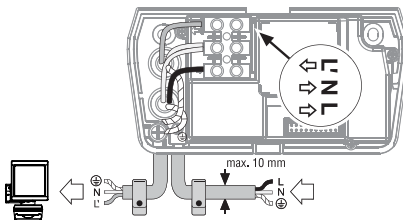


The mains supply lead is a 3-core cable.
L = Live and N = Neutral.

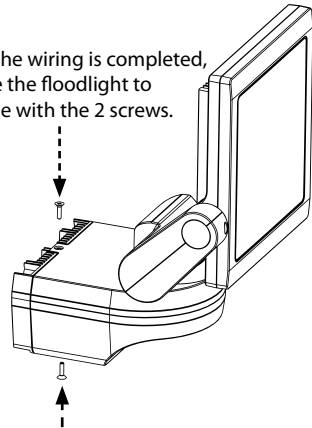
- ③



- ④b



- ⑤ After the wiring is completed, secure the floodlight to its base with the 2 screws.



Dear Customer,

Thank you for purchasing AZ e-lite AZPOSE XL LED Sensor Floodlight. Please read the instructions carefully before installing the AZPOSE Floodlight to ensure long-lasting, reliable and smooth operation.

Principle

The AZPOSE XL is a LED floodlight for various indoor/outdoor applications such as illumination of walkway, car porch, garden and low usage areas. It can also be programmed to operate during low light level.

* Note that not all burglar alarms may be supported. To ensure maximum motion detection, install the floodlight with the sensor aimed across the direction in which a person would walk and make sure the line of sensor vision is not obstructed.

Safety warnings

- Disconnect the power supply before installing the floodlight.
- Installing the light involves working on the mains power supply. Please engage professional electrician for the installation to avoid any risk of electrocution. Please familiarise yourself with these instructions before attempting to install the floodlight.
- Suitable for outdoor and indoor use.
- This floodlight is intended for wall mounting only.

Permanent light function

If a mains switch is installed in the mains supply lead, the light is capable of the following functions in addition to the simple "ON"/"OFF" function:

Manual override

- 1) Activate manual override:
Turn switch "OFF" and "ON" once. The floodlight is set to stay on for 4 hours (red LED lights up behind the lens). Then it returns automatically to sensor mode (red LED off).
- 2) Deactivate manual override:
Switch "OFF" and "ON" once. Floodlight goes out or switches to sensor mode.

Important:

The switch should be actuated in rapid succession (in the 0.5 – 1 sec. range).

Accessories

Ground spike, 365 x 136 x 80 mm

Declaration of conformity

This product complies with Low Voltage Directive 06/95/EC, EMC Directive 04/108/EC as well as RoHS Directive 02/95/EC.

Functional warranty

This AZ e-lite product has been manufactured with utmost care, tested for proper operation and safety and then subjected to random sample inspection. AZ e-lite guarantees that it is in perfect condition and proper working order. The warranty period is 36 months and starts on the date of sale to the consumer. We will remedy defects caused by material flaws or manufacturing faults. The warranty will be met by repair or replacement of defective parts at our own discretion. The warranty shall not cover damage to wear parts, damage or defects caused by improper treatment or maintenance. Further consequential damage to other objects is excluded.

Claims under the warranty will only be accepted if the unit is sent fully assembled and well-packed with a brief description of the fault, a receipt or invoice (date of purchase and dealer's stamp) to the appropriate Service Centre.

AZ e-lite Pte Ltd

31 Ubi Road 1 Aztech Building
Singapore 408694
Email: sales@azelite.com.sg
Tel: (65) 6594 2277
Fax: (65) 6749 1198

AZ e-lite (H.K.) Ltd.

Rm 2-6, 3/F Core Building 1
No.1 Science Park East Ave
Shatin, New Territories
Hong Kong
Email: sales@azelite.com.hk
Tel: (852) 2757 1177
Fax: (852) 2753 0578

AZ-Technology Sdn Bhd

901, Level 9, Block B
Kelana Business Centre
97, Jalan SS7/2 Kelana Jaya
47301 Petaling Jaya
Selangor, Malaysia
Tel: (603) 7804 8450
Fax: (603) 7804 8457

Aztech Labs, Inc

4005 Clipper Court
Fremont
CA 94538
United States
Tel: (1)(510) 683 9800
Fax: (1)(510) 683 9803

Aztech Systems GmbH

Kreuzberger Ring 22
65205 Wiesbaden
Germany
Tel: (49)(0)(611) 45020 0
Fax: (49)(0)(611) 45020 100

© 2010 AZ e-lite Pte Ltd - A Member of Aztech Group.

