

# 14-inch LED Ceiling Light Installation Guide AZPRESS LCR1424

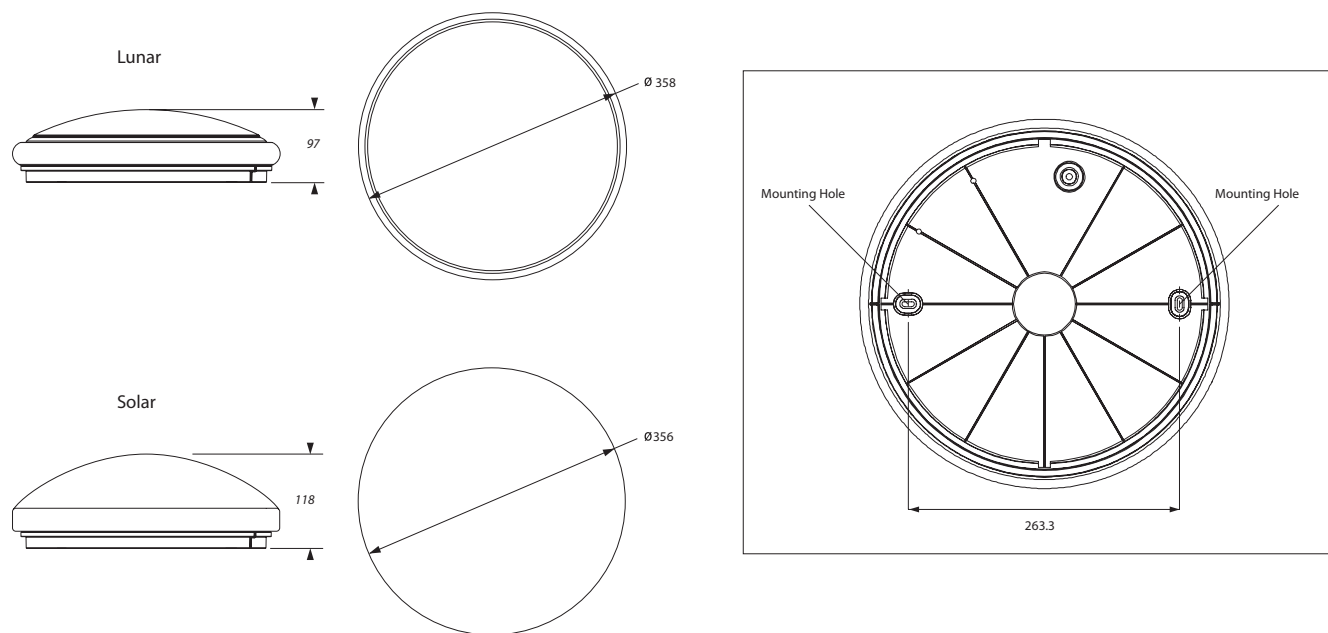
## General Specifications (Lighting Fixture)

Operating Voltage	220 - 240 Vac, 50/60Hz
Power Factor	>0.9
Power Consumption	20W (Typical)
Operating Temperature	-20 to 40°C
Storage Temperature	-40 to 80°C
Operating Humidity	>90% (RH)
IP Rating	IP54

## LED Light Source

Nos Of LEDs	180
Luminous Flux	1400 lm
Color Temperature	2500K - 3500K 3500K - 4500K 6000K - 7000K
Color Rendering Index	>80

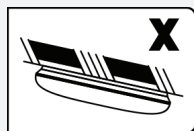
## Specifications (Outline Drawing)



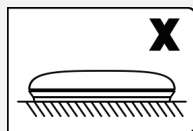
## User Manual

Dear customer: Thank you for purchasing our product. Please read the instructions below before installing or using this LED Ceiling Light.

- 1 Please install the ceiling light carefully according to the directions given.
- 2 The ceiling light is to be fixed properly onto the ceiling by two screws. It may get dislodged if not securely mounted.
- 3 Do not install near high temperature/ combustive objects.
- 4 Do not install the product in the positions depicted in the diagrams below:



▲ Oblique Surface



▲ Upward Surface

## Operation:

- 1 The rated voltage is 220V - 240V.
- 2 Do not use in supply voltage exceeding 240V, and promptly switch off in such circumstances.
- 3 In order to prevent dislodging, electrical shock and blazing, exercise caution when installing.
- 4 In case of operation failure, please switch off the power and contact your nearest AZ e-lite dealer.

## Warning:

Please shut off the power supply before cleaning the ceiling light!

## Installation steps:

- 1 Switch off main power supply.
- 2 Remove the diffuser by turning it counter clockwise.
- 3 Mark the location of the 2 holes on ceiling where the ceiling light is to be mounted.
- 4 Drill holes at the marked location and push screw plugs into them.
- 5 Insert power cord through the grommet on the base plate and attach the power cables to the terminal block. Confirm proper connection of the Live (L) and Neutral (N) wires.
- 6 Fix base plate securely to the ceiling with the 2 screws provided.
- 7 Position diffuser onto the base plate and turn clockwise to secure it.
- 8 Switch on main power supply.